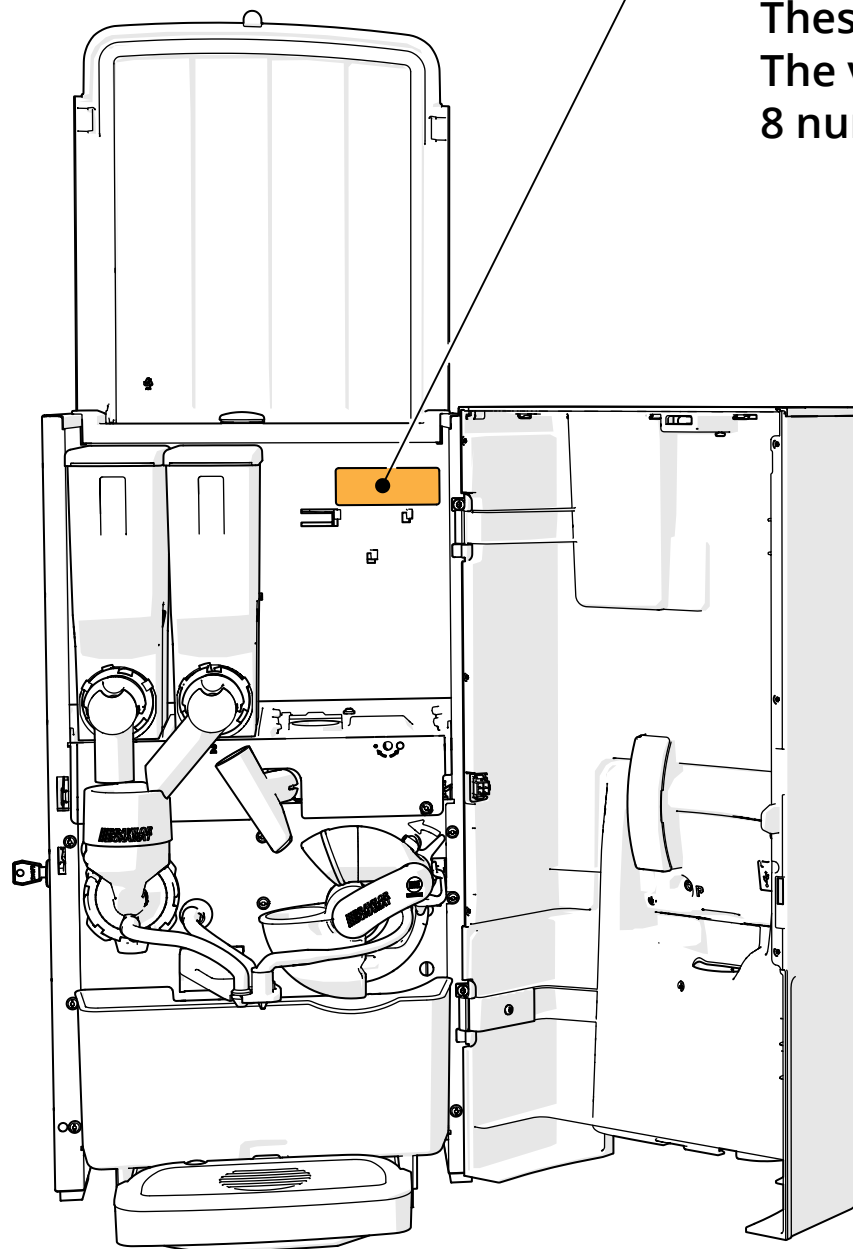
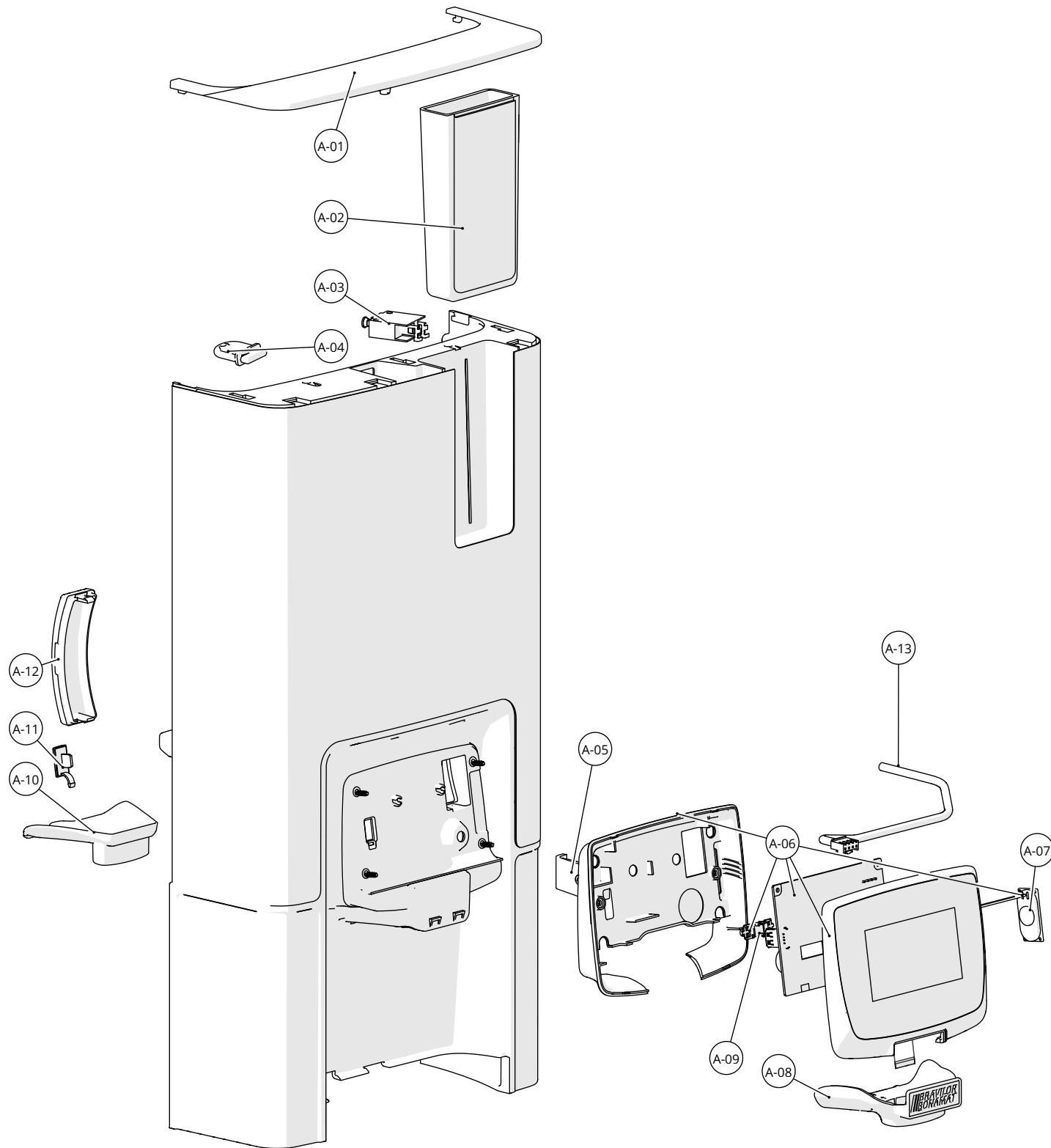


Note:

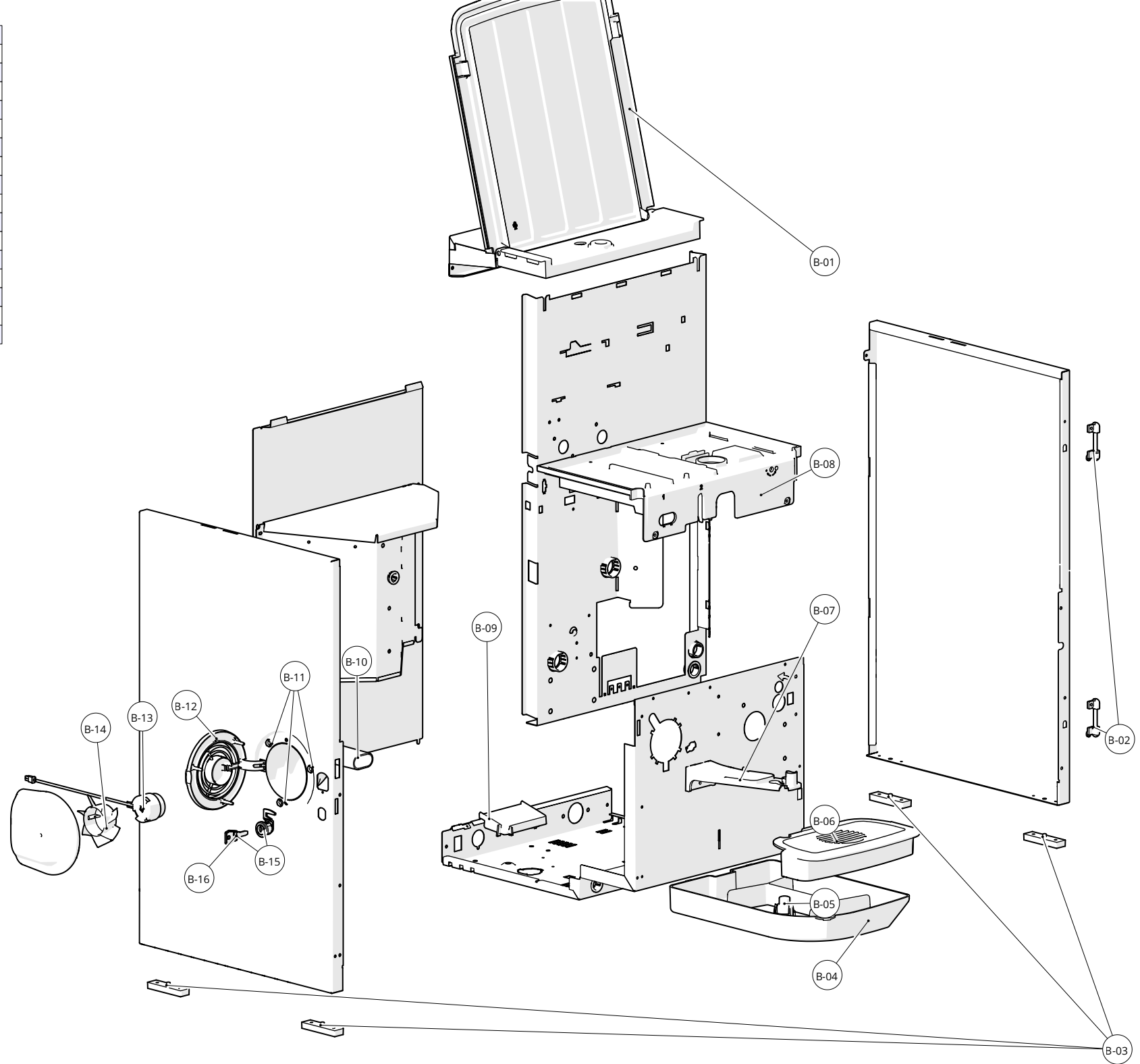
These exploded views apply only to version 2.0.
The version can be determined from the 9th digit of the
8 number on the nameplate (8.xxx.xxx.x2xxx).



ID	Service parts	Description	S-RS
A-01	6.331.709.001	Lid door	S
A-02	6.331.467.001	Reservoir show beans Segó	DT
A-03	6.331.597.000	Doorswitch incl. connector	RS </td
A-04	6.231.044.001	Service key	S
A-05	6.331.484.001	Cover hinge	DT
A-06	6.000.331.048	Service panel (assy)	RS
A-07	6.331.107.000	Speaker	S
A-08	6.331.465.100	Outlet cover chrome	S
A-09	6.402.002.001	Push button grey	S
A-10	6.331.806.001	Insert part door	S
A-11	6.268.393.001	USB cover	DT
A-12	6.331.468.001	Cover cable	S
A-13	6.268.418.000	Wire 4-poll. l=1100	S



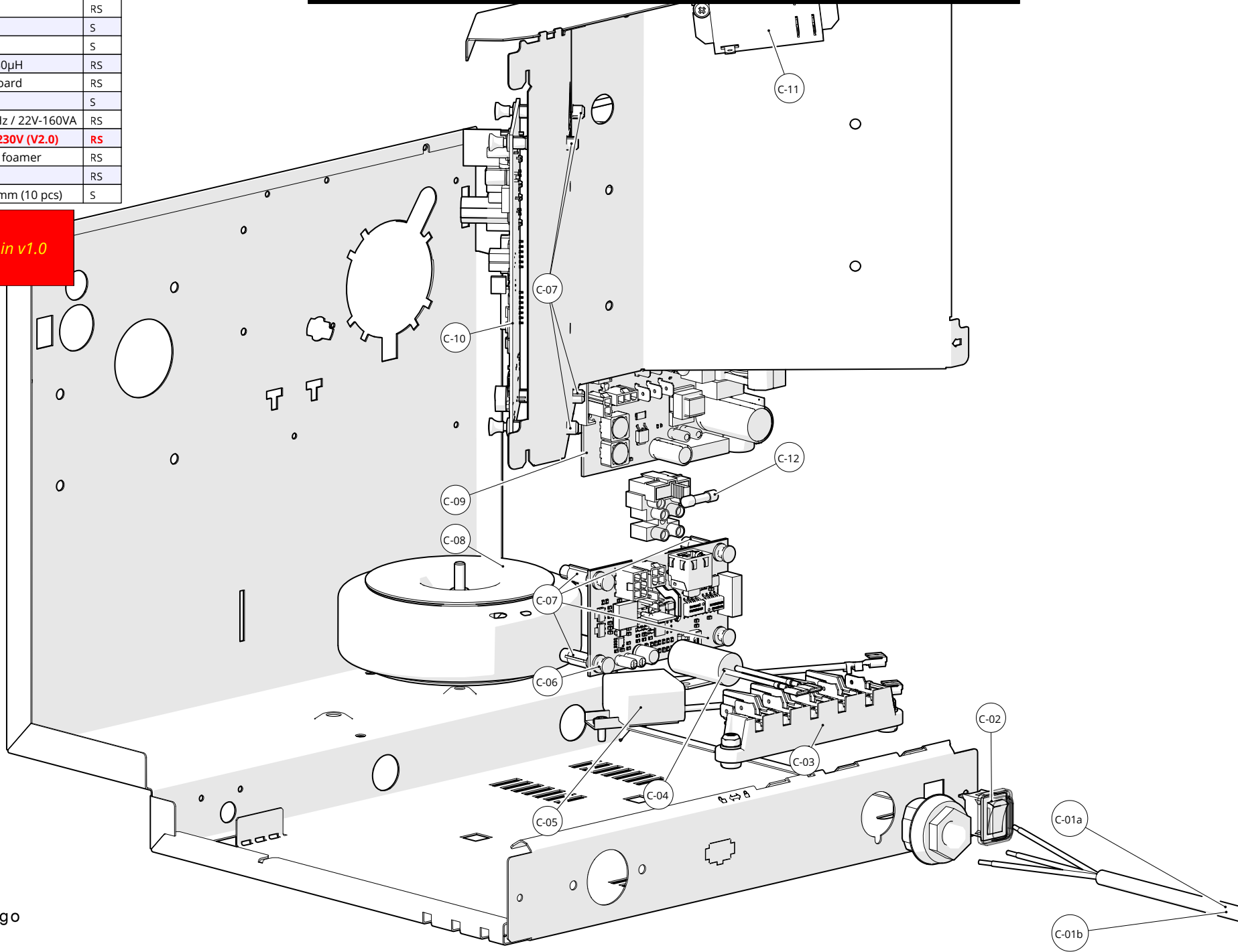
ID	Service parts	Description	S-RS
B-01	6.331.858.000	Lid	S
B-02	6.429.149.001	Hinge	S
B-03	6.329.060.001	Foot	DT
B-04	6.331.456.001	Drip tray	S
B-05	6.331.457.001	Float drip tray	S
B-06	6.331.458.001	Grid drip tray	S
B-07	6.331.475.001	Bracket outlets	DT
B-08	6.331.460.000	Protective plate	DT
B-09	6.429.095.001	Protective plate cord inlet	DT
B-10	6.331.469.001	Fan housing	S
B-11	6.231.204.001	Vibration damper	S
B-12	6.331.099.001	Grid fan	S
B-13	6.000.229.146	Fan motor	RS
B-14	6.231.194.001	Rotor fan	S
B-15	6.014.004.060	Lock with keys + spring	S
B-16	6.014.012.017	Key	S



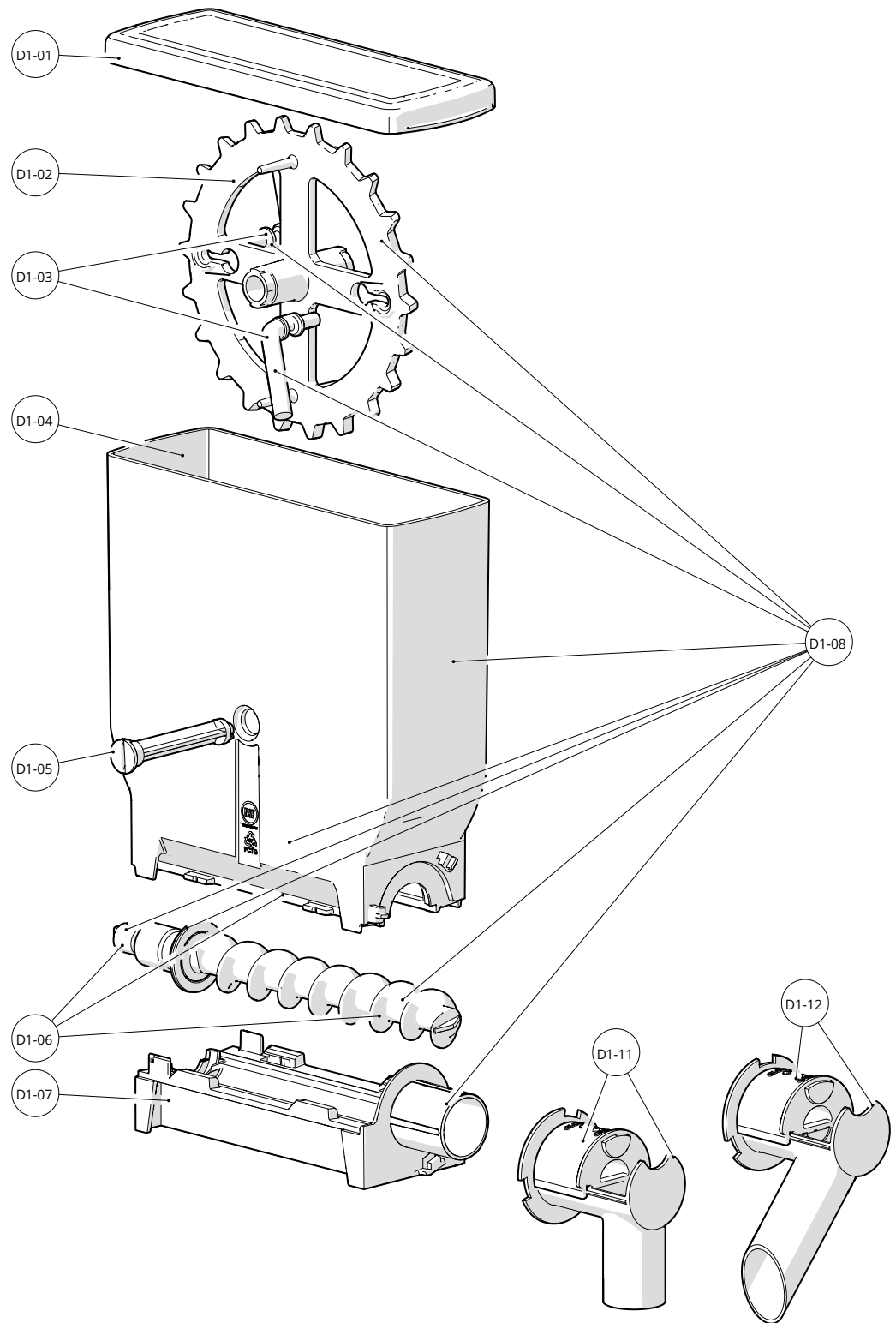
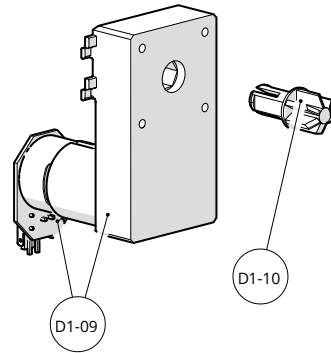
Sego L v2.0 (8.036.0xx.x2xxx from serial number 020002351364)

ID	Service parts	Description	S-RS
C-01a	6.003.012.060	Connection cord	DT
C-01b	6.003.012.118	Connection cord (UK)	DT
C-02	6.004.001.089	Switch	RS
C-03	6.002.019.160	Wire clamp	S
C-04	6.004.020.019	RC combination	S
C-05	6.004.012.009	Coil suppressor 680µH	RS
C-06	6.271.037.000	Interface controlboard	RS
C-07	6.001.146.002	Distance support	S
C-08	6.331.556.000	Trafo 230V-50/60Hz / 22V-160VA	RS
C-09	6.331.878.000	Mainboard Sego 230V (V2.0)	RS
C-10	6.331.839.000	Controlboard milk foamer	RS
C-11	6.004.002.093	Relay	RS
C-12	6.005.011.035	Fuse 0,8A TT 5x20mm (10 pcs)	S

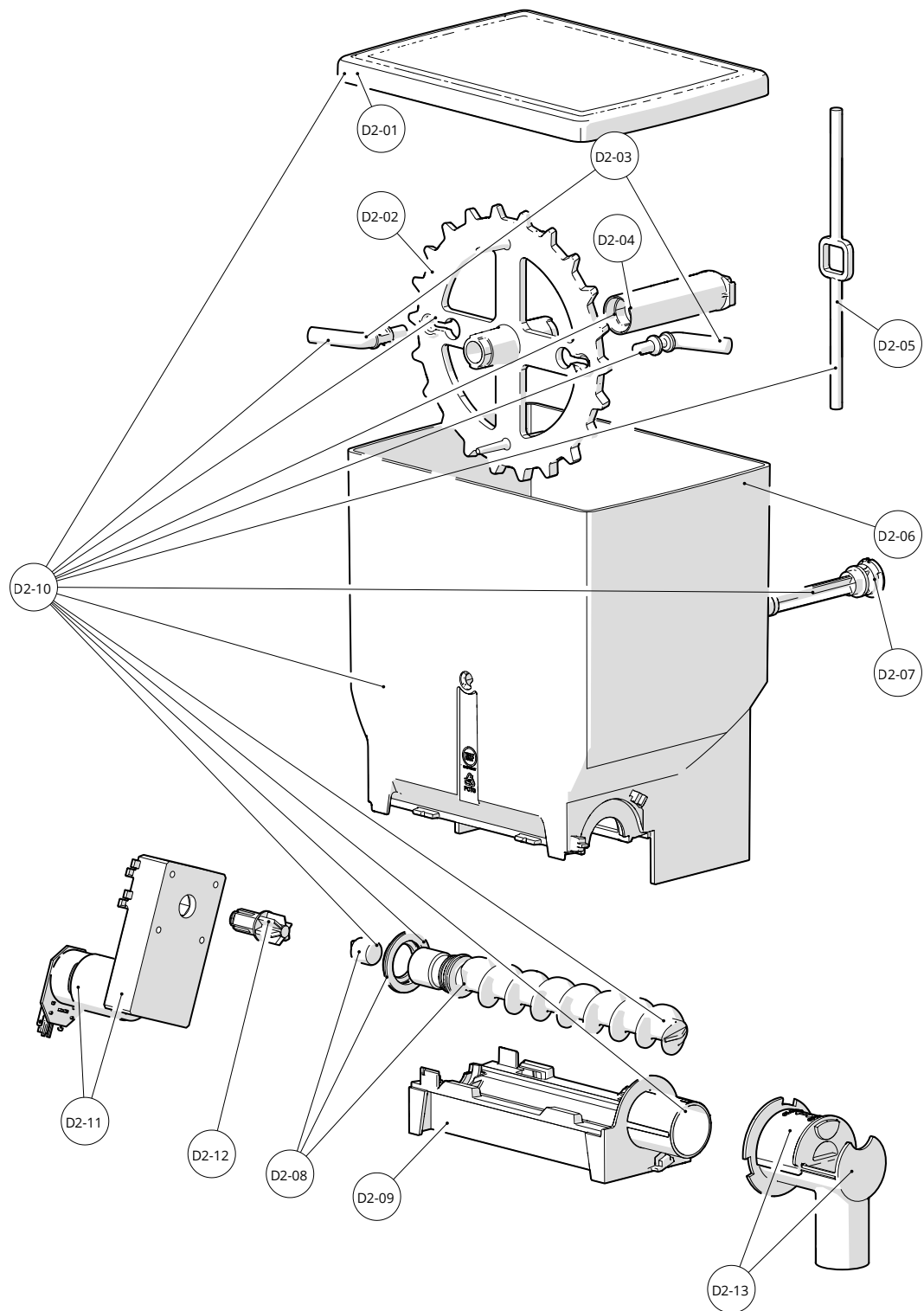
Note C-09:
The mainboard is **not** applicable in v1.0 of the Sego L (8.036.0xx.x1xxx).



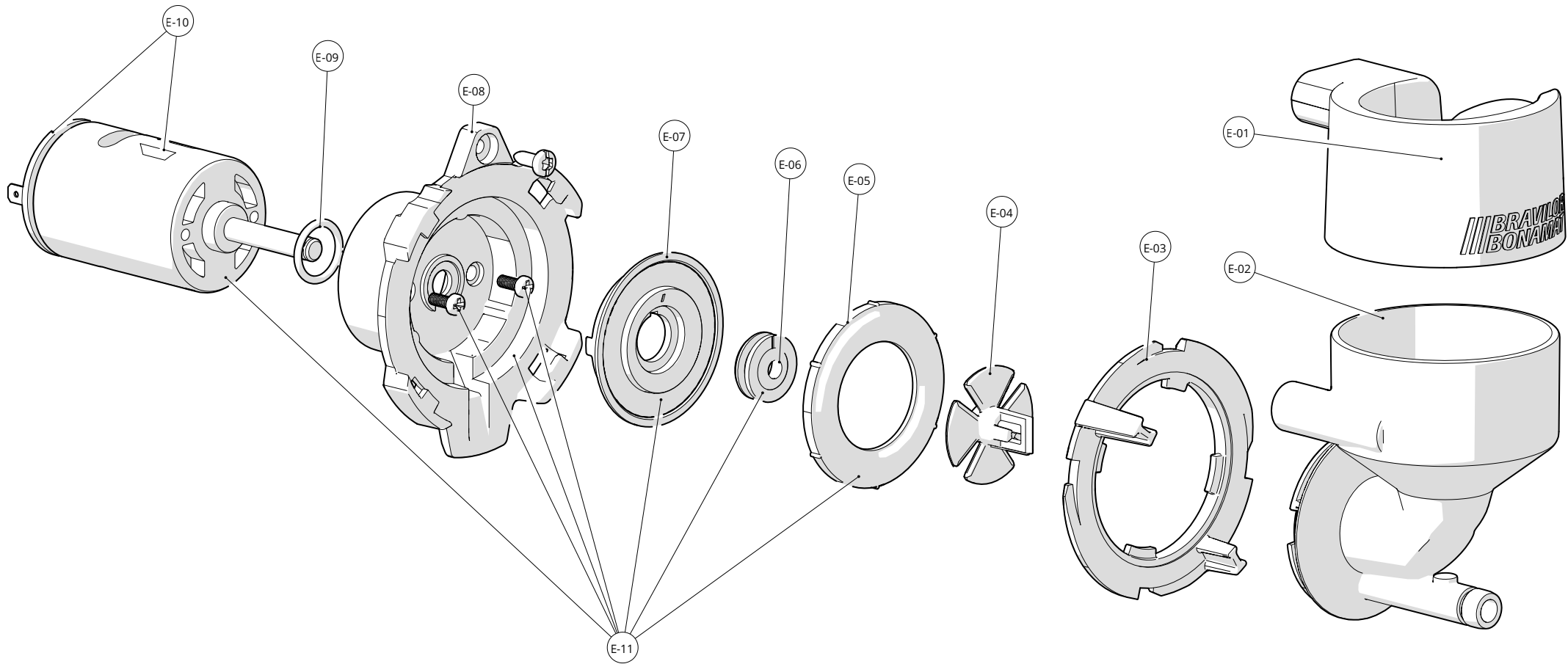
ID	Service parts	Description	S-RS
D1-01	6.329.480.000	Lid canister 65 mm NSF	S
D1-02	6.329.477.001	Drive shaft	S
D1-03	6.329.478.001	Wiper	S
D1-04	6.329.476.001	Canister casing	S
D1-05	6.329.486.001	Axle	S
D1-06	6.000.229.219	Worm (assy)	S
D1-07	6.329.474.001	Canister bottom	S
D1-08	6.000.229.183	Canister 65 mm (assy)	S
D1-09	6.331.615.000	Canister motor incl. pcb	S
D1-10	6.030.074.005	Drive shaft	S
D1-11	6.329.248.000	Outlet canister central	S
D1-12	6.329.167.000	Outlet right 87.3	S



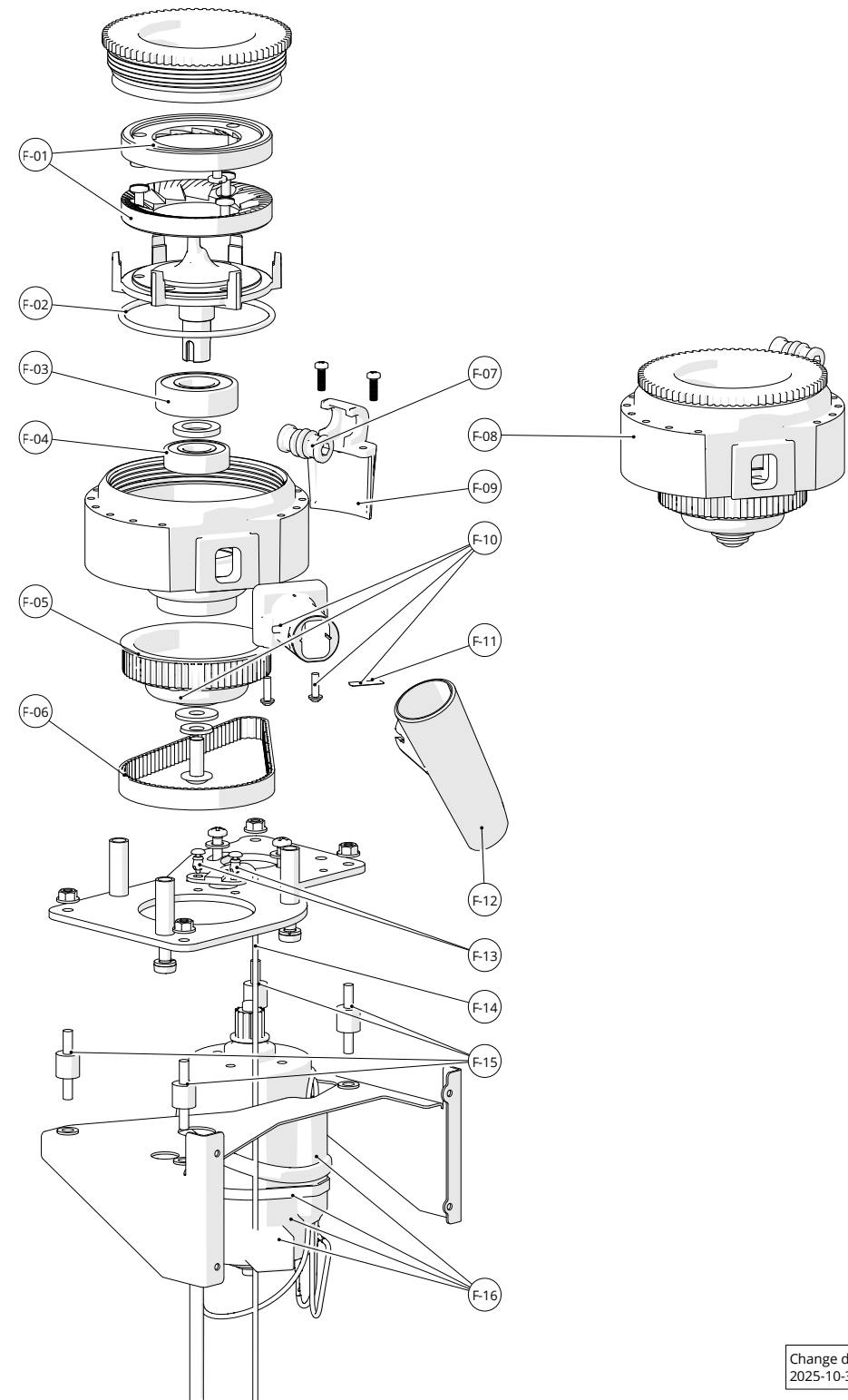
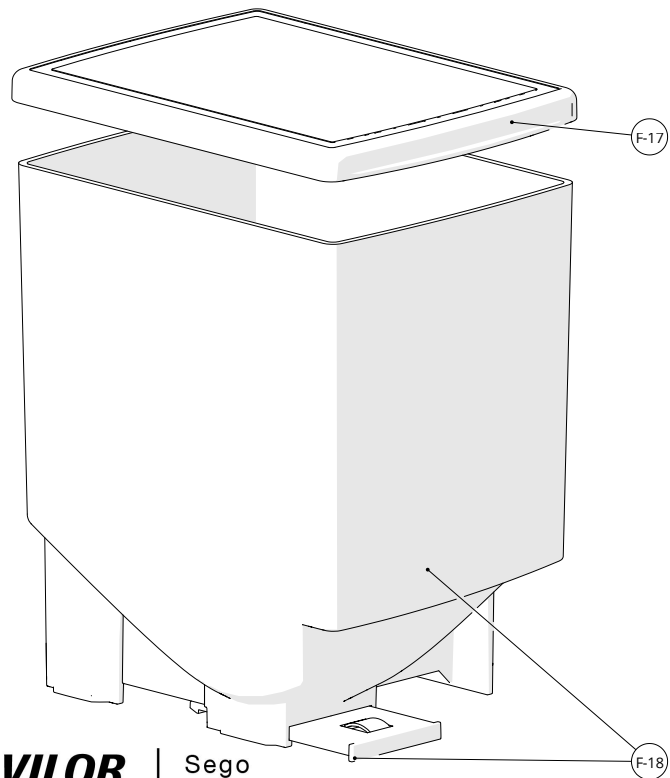
ID	Service parts	Description	S-RS
D2-01	6.229.274.001	Lid canister 134mm	S
D2-02	6.329.477.001	Drive shaft	S
D2-03	6.329.478.001	Wiper	S
D2-04	6.329.543.001	Insert canister 134 mm	S
D2-05	6.329.503.001	Wiper axle canister 134 mm	S
D2-06	6.329.500.001	Canister casing 134 mm NSF	S
D2-07	6.329.502.001	Axle canister 134 mm NSF	S
D2-08	6.000.229.219	Worm (assy)	S
D2-09	6.329.474.001	Canister bottom	S
D2-10	6.000.229.553	Canister 134 mm (assy)	S
D2-11	6.331.615.000	Canister motor	RS
D2-12	6.030.074.005	Drive shaft	S
D2-13	6.329.248.000	Outlet canister central	S



ID	Service parts	Description	S-RS
E-01	6.331.857.001	Condense reservoir	S
E-02	6.331.856.001	Mixing chamber 6 mm	S
E-03	6.229.809.001	Fastening ring	S
E-04	6.229.803.001	Whipper disk	S
E-05	6.229.806.001	Rubber seal mixer	S
E-06	6.030.071.020	Rubber seal mixer	S
E-07	6.229.807.001	Holder rubber seal	S
E-08	6.229.810.001	Plate mixer moter	S
E-09	6.011.001.094	O-ring 13x2	RS
E-10	6.030.070.022	Mixer motor	RS
E-11	6.000.229.085	Mixer motor complete	RS



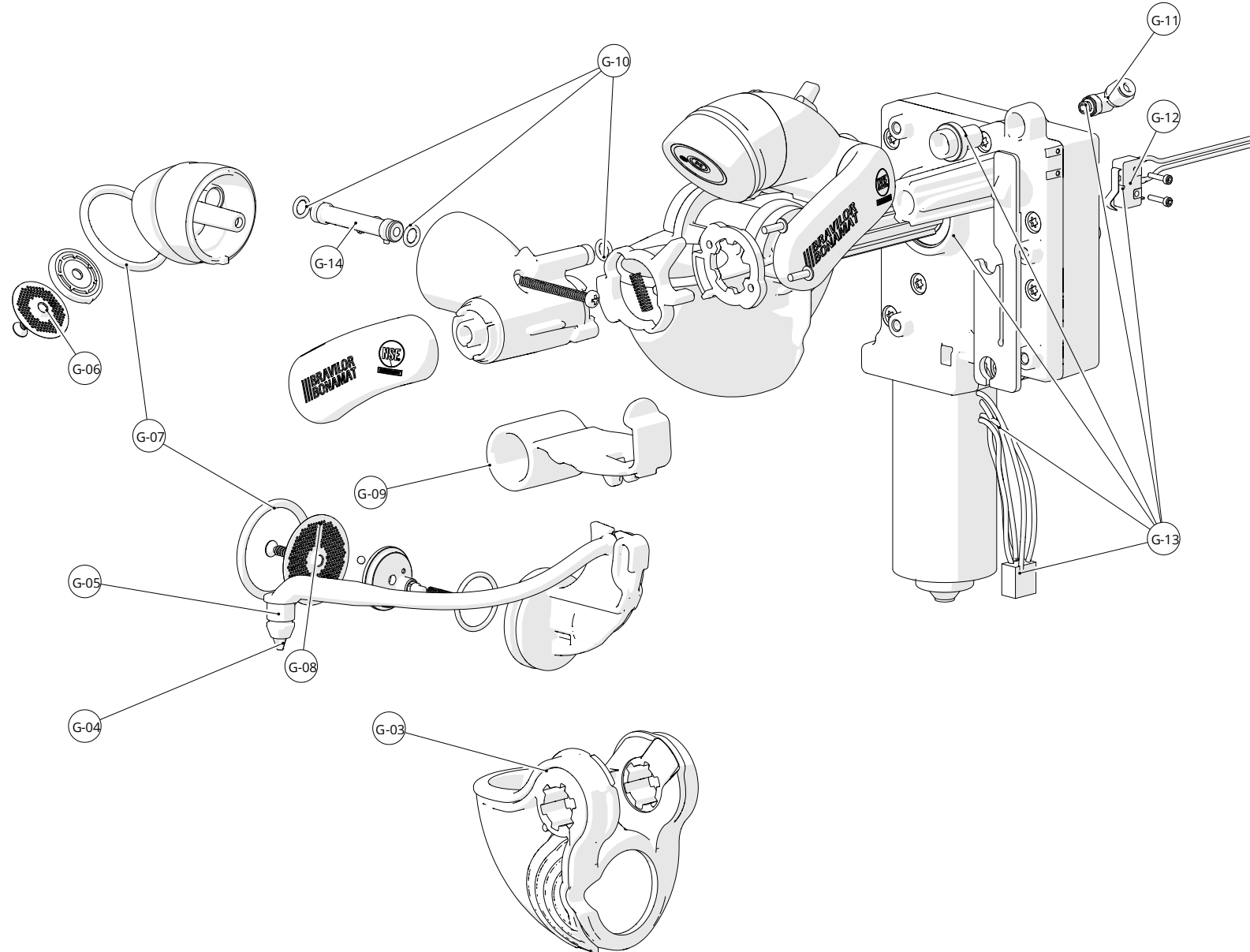
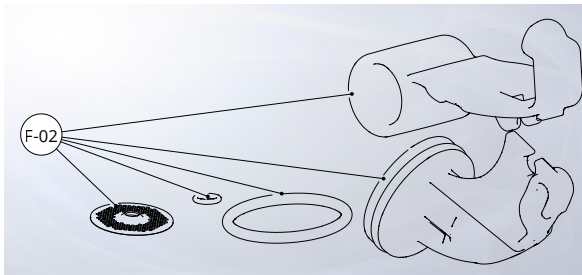
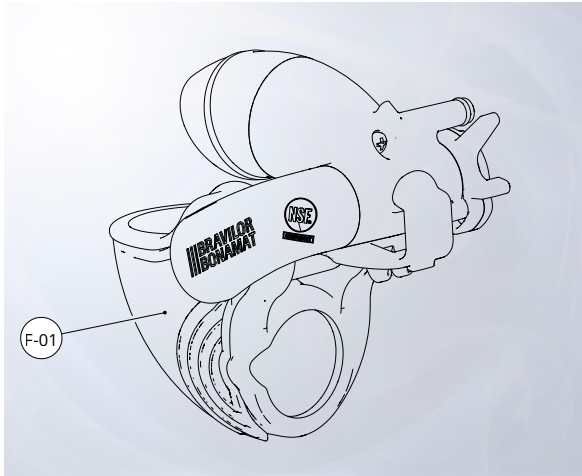
ID	Service parts	Description	S-RS
F-01	6.331.433.001	Grinding disc ø64	RS
F-02	6.011.001.172	O-ring 61.6x2.62	RS
F-03	6.018.021.005	Ball bearing 15x35x11	DT
F-04	6.018.021.002	Ball bearing 12x28x8	DT
F-05	6.331.253.000	Drive wheel incl. magnets	S
F-06	6.017.008.002	Toothed belt 9 mm/294 mm	S
F-07	6.331.426.001	Adjustment part	S
F-08	6.000.331.057	Grinder base (assy)	S
F-09	6.331.427.001	Clip adjusting mechanism	S
F-10	6.331.504.000	Fixation coffee chute	S
F-11	6.331.506.001	Plate coffee chute	S
F-12	6.331.505.001	Grinder outlet	S
F-13	6.001.151.007	Rivet 3,5 mm/4,5-5,5 mm	DT
F-14	6.030.079.007	Sensor	RS
F-15	6.001.152.008	Vibration damper Ø10x10 M4x10	S
F-16	6.000.431.035	Motor grinder 230V	RS
F-17	6.229.274.001	Lid 134 mm	S
F-18	6.000.331.071	Beancanister Sego	S



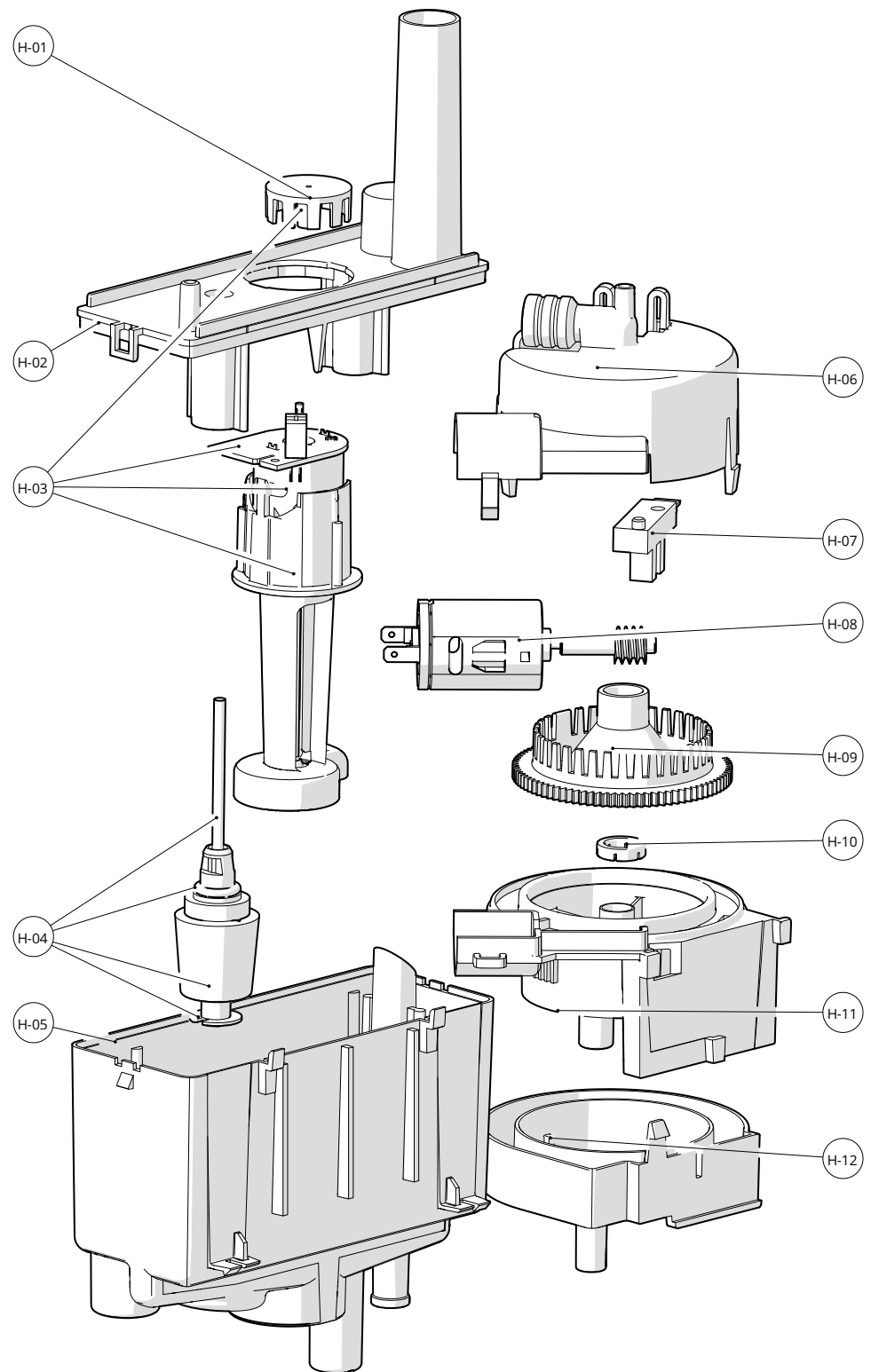
Circo-Brewer update 23-10-2024

ID	Service parts	S-RS	Description
G-01	6.000.331.112	S	CIRCO-brewer 2.0
G-02	6.000.431.036	S	CIRCO-brewer 2.0 service set
G-03	6.000.331.114	S	Cylinder 2.0
G-04	6.331.502.001	S	Jet straightener outlet
G-05	6.331.501.001	S	Hose outlet rotation brewer
G-06	6.013.004.054	RS	Sieve micro filter ø25 flat
G-07	6.011.001.206	S	O-ring d 32,92 x 3,53 VMQ 60
G-08	6.013.004.053	RS	Sieve micro filter (flat)
G-09	6.331.423.001	S	Mounting bracket plunger
G-10	6.011.001.152	S	O-ring 6,02x1,63
G-11	6.013.001.211	S	Coupling D=4 G=M5
G-12	6.233.032.000	RS	Switch complete
G-13	6.000.331.050	RS	Motor CIRCO-brewer (assy)
G-14	6.331.417.001	S	Tube water supply

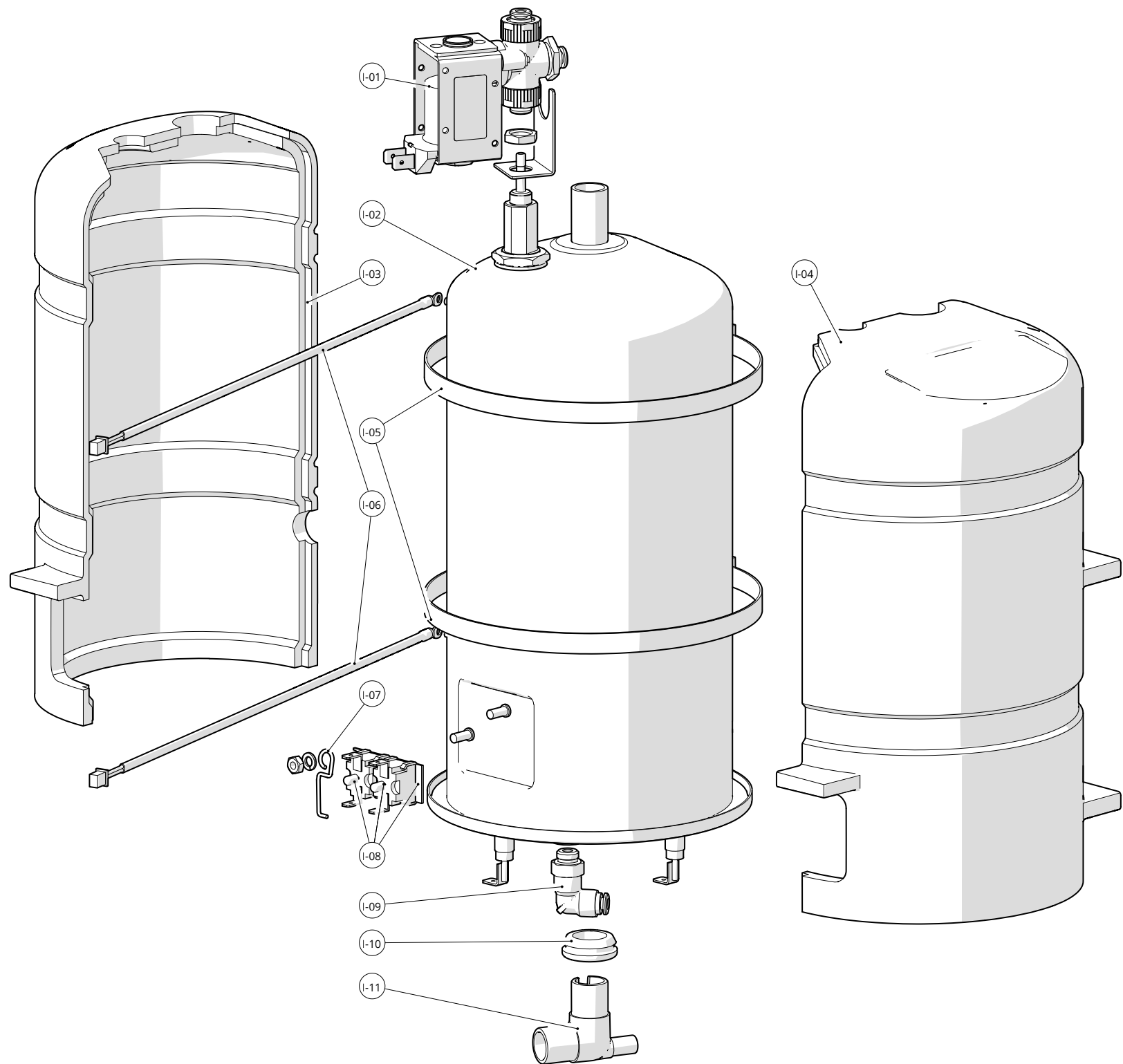
Note:
F-03 includes
adapted grinder outlet and
adapted arm beverage outlet



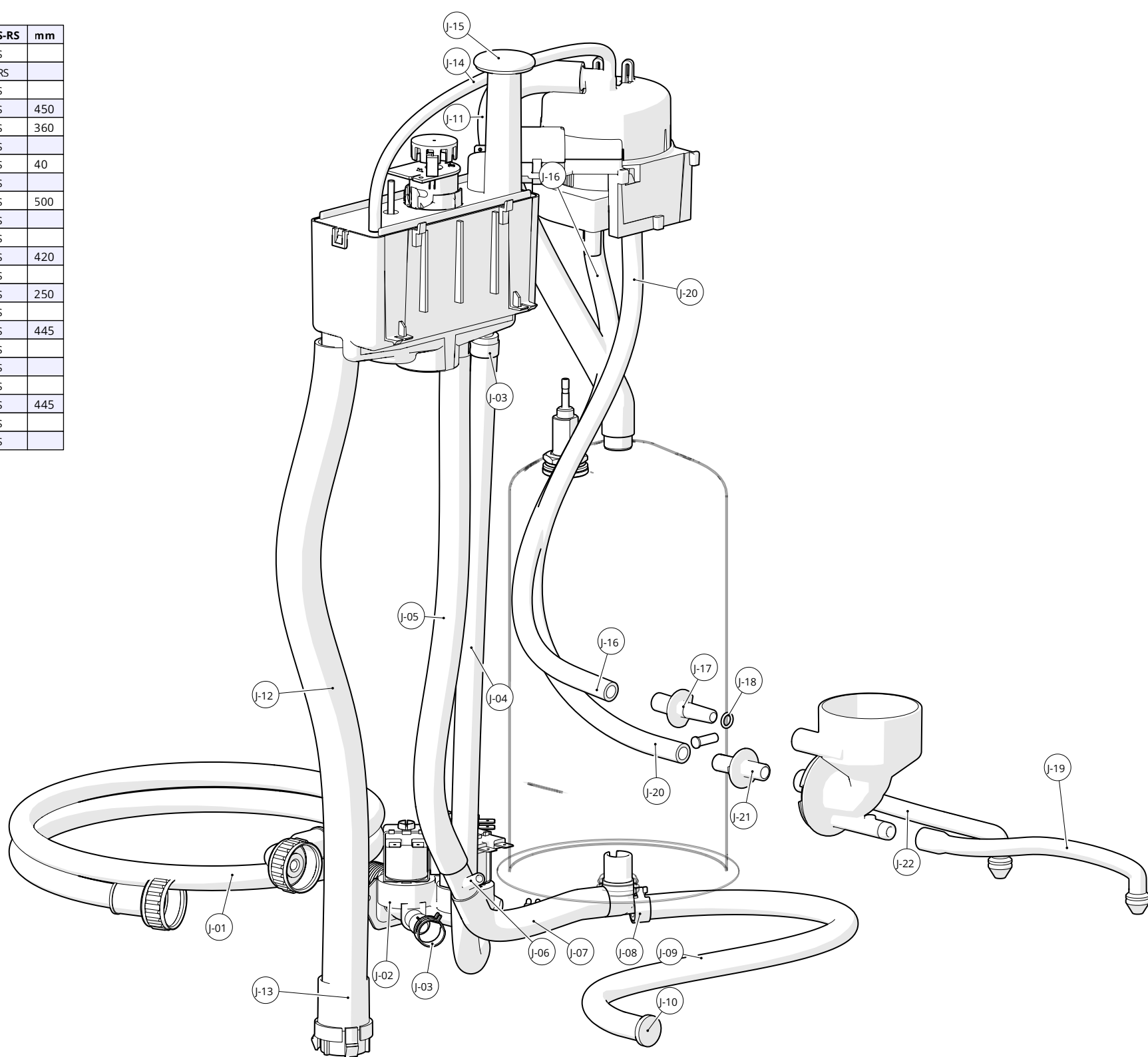
ID	Service parts	Description	S-RS
H-01	6.229.594.001	Positioning wheel	S
H-02	6.229.334.001	Lid pumpfloat tank	S
H-03	6.000.229.198	Pump float tank 4000 rpm	RS
H-04	6.229.891.001	Float	S
H-05	6.229.335.001	Pumpfloat tank	S
H-06	6.231.121.001	Lid water selector	S
H-07	6.004.026.001	Light sensor	RS
H-08	6.000.231.022	Motor water selector (assy)	RS
H-09	6.231.120.001	Water rotation disk	RS
H-10	6.229.761.001	Water sealing ring	S
H-11	6.231.825.001	Outlet waterselector 2	S
H-12	6.231.259.001	Lid water selector	S



ID	Service parts	Description	S-RS
I-01	6.016.001.129	Magnetic valve 24V DC NC	RS
I-02	6.000.331.020	Boiler 230V 1850W	RS
I-03	6.331.124.002	Insulation part 2	DT
I-04	6.331.124.001	Insulation part 1	DT
I-05	6.001.043.056	Tube clamp 25-150 mm/9 mm	S
I-06	6.331.485.000	Temperatue sensor	RS
I-07	6.016.008.078	Bracket	DT
I-08	6.016.008.084	Thermostat	RS
I-09	6.013.001.212	Knee 4 mm x G1/8	S
I-10	6.231.191.001	Ring silicone	S
I-11	6.231.132.001	Supply boiler	S



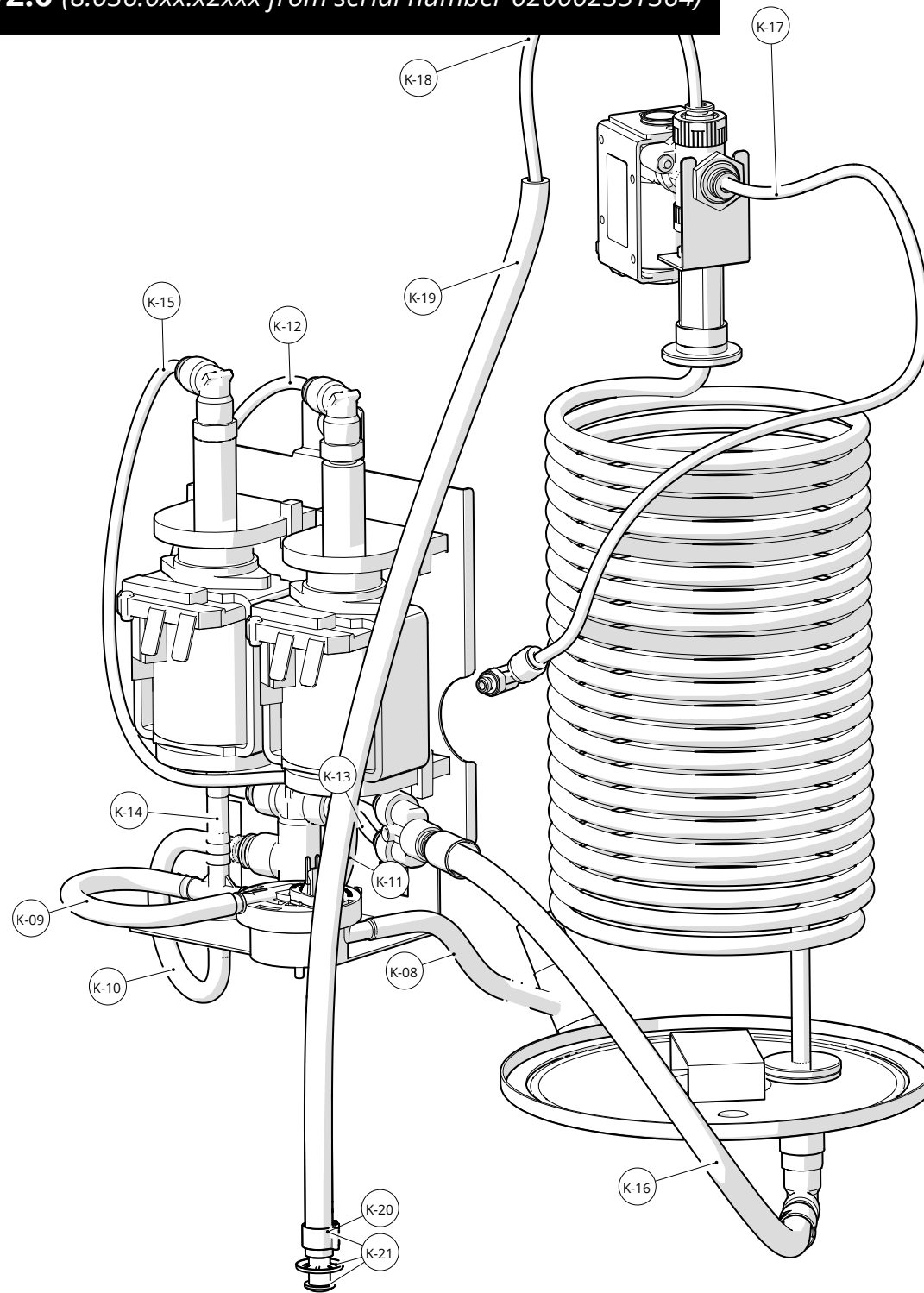
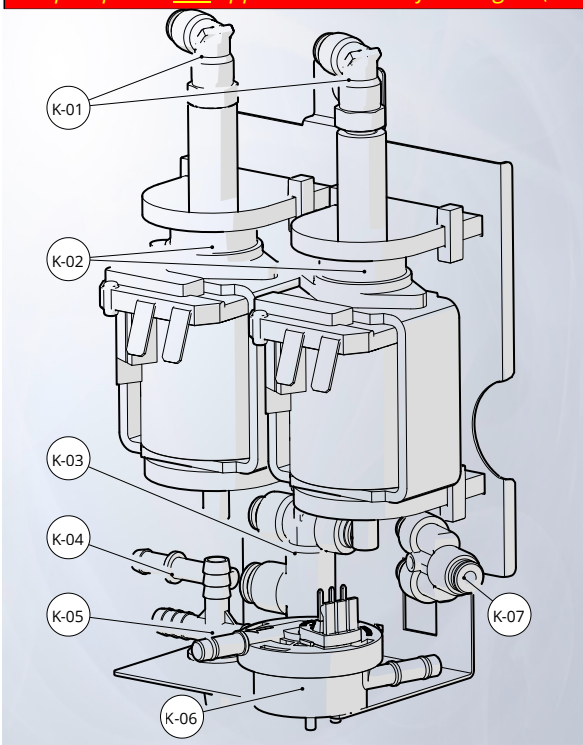
ID	Service parts	Description	S-RS	mm
J-01	6.000.205.111	Connection hose	S	
J-02	6.016.001.029	Magnetic valve 0,5+0,8+2 l/min	RS	
J-03	6.001.079.003	Tube clamp 15.6 mm	S	
J-04	6.019.033.014	Silicone tube 3 x 9.5	S	450
J-05	6.019.033.013	Silicone tube 11,5 x 3,0	S	360
J-06	6.267.307.001	Y-piece	S	
J-07	6.019.033.013	Silicone tube 11,5 x 3,0	S	40
J-08	6.001.079.001	Tube clamp 12.7 mm	S	
J-09	6.263.081.001	Drain hose	S	500
J-10	6.006.002.018	Tightening plug 10.5 mm	S	
J-11	6.331.904.001	Tube 11,5x3/curve 80°	S	
J-12	6.236.353.001	Overflow tube	S	420
J-13	6.402.085.001	Nipple overflow	S	
J-14	6.019.033.009	Silicone tube 4 x 1.5	S	250
J-15	6.402.010.001	Descaling Plug	S	
J-16	6.019.033.004	Silicone tube 7.5 x 2	S	445
J-17	6.329.988.001	Filling pipe mixer	S	
J-18	6.011.001.152	O-ring 6.02x1.63	S	
J-19	6.229.821.001	Outlet hose	S	
J-20	6.019.033.004	Silicone tube 7.5 x 2	S	445
J-21	6.429.043.001	Coupling hot water tubes	S	
J-22	6.229.821.001	Outlet hose	S	



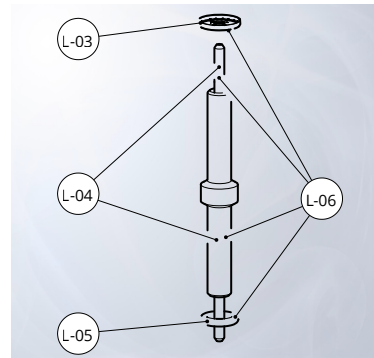
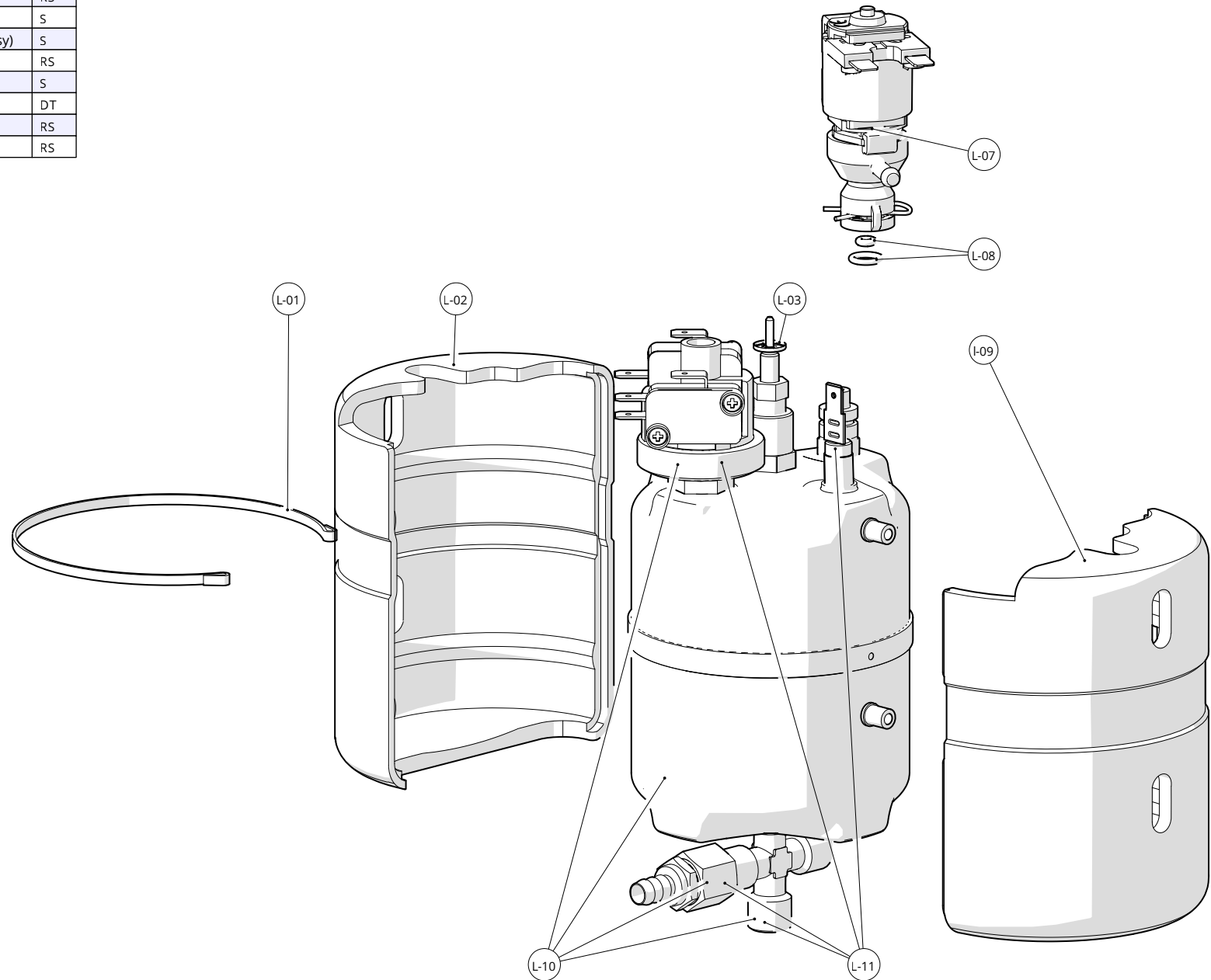
ID	Service parts	Description	S-RS	mm
K-01	6.013.001.267	Knee 4 mm x G1/8	S	
K-02	6.023.004.054	Pump 230V - 50Hz 48W	RS	
K-03	6.013.005.021	Pressure relief valve	RS	
K-04	6.013.001.237	Nipple tube support	S	
K-05	6.013.001.243	4-Way connector	S	
K-06	6.016.024.014	Water counter	RS	
K-07	6.013.001.231	Y-piece	S	
K-08	6.019.033.023	Silicon tube 4.0x3.0	S	120
K-09	6.019.033.023	Silicon tube 4.0x3.0	S	170
K-10	6.019.033.023	Silicon tube 4.0x3.0	S	120
K-11	6.019.033.025	Silicon tube 5.0x2.0	S	80
K-12	6.019.072.003	Tube 2.0 x 1.0	S	300
K-13	6.019.072.003	Tube 2.0 x 1.0	S	40
K-14	6.019.033.025	Silicon tube 5.0x2.0	S	40
K-15	6.019.072.003	Tube 2.0 x 1.0	S	260
K-16	6.000.331.086	Pressure hose Sego	S	
K-17	6.019.072.003	Tube 2.0 x 1.0	S	380
K-18	6.019.072.003	Tube 2.0 x 1.0	S	180
K-19	6.019.033.025	Silicon tube 5.0x2.0	S	360
K-20	6.001.043.055	Tube clamp 9.5 /7W4 (10 pcs)	S	
K-21	6.331.634.001	Nipple overflow set	DT	

Note K-02:
The pumps are **not** applicable in v1.0 of the Sego L (8.036.0xx.x1xxx).

Sego L v2.0 (8.036.0xx.x2xxx from serial number 020002351364)



ID	Service parts	Description	S-RS
L-01	6.011.038.003	Clamp spring Insulation	S
L-02	6.011.038.001	Insulation part 1	DT
L-03	6.001.106.013	Push-on fastener 3/32 (2.3 mm)	S
L-04	6.000.268.025	Water detection sensor	RS
L-05	6.011.001.184	O-ring 5,28x1,78	S
L-06	6.000.271.001	Water detection sensor (assy)	S
L-07	6.016.001.130	Steam Valve 24V DC NC	RS
L-08	6.011.001.190	O-rings (2) steam valve	S
L-09	6.011.038.002	Insulation part 2	DT
L-10	6.331.804.000	Steam boiler	RS
L-11	6.331.804.100	Steam boiler (GB)	RS



ID	Service parts	Description	S-RS	mm
M-01	6.016.001.029	Magnetic valve 0,5+0,8+2 l/min	RS	
M-02	6.000.331.093	Tube 8x2/3.5 (non-return valve)	S	
M-03	6.019.033.250	Silicone tube 8x2	S	110
M-04	6.331.805.000	Ball valve	S	
M-05	6.268.271.001	Drain hose	S	525
M-06	6.019.033.250	Silicone tube 8x2	S	280
M-07	6.019.033.250	Silicone tube 8x2	S	590
M-08	6.013.001.239	Plug with O-ring	S	
M-09	6.019.033.025	Silicone tube 5.0 x 2.0	S	260
M-10	6.019.033.023	Silicon tube 4.0x3.0	S	460
M-11	6.019.033.250	Silicone tube 8x2	S	130
M-12	6.013.001.216	Coupling 4 x 1/4	S	
M-13	6.019.072.003	Tube 2.0 x 1.0	S	380
M-14	6.013.001.253	Straight coupling	S	
M-15	6.075.001.400	Tube 6.0 x 1.0	S	400
M-16	6.331.826.001	Non-return valve	S	
M-17	6.019.072.003	Tube 2.0 x 1.0	S	500
M-18	6.331.827.000	Double hose coupling	S	
M-19	6.019.072.004	tube 2.5x0.75	S	160
M-20	6.000.331.092	Coupling & milk hose	S	
M-21	6.000.331.091	Milk foamer	S	
M-22	6.331.836.001	Outlet hose	S	
M-23	6.001.079.003	Tube clamp 15.6 mm	S	
M-24	6.001.079.002	Tube clamp 14.1 mm	S	
M-25	6.001.043.055	Tube clamp 9.5 /7W4 (10 pcs)	S	
M-26	6.001.043.064	Tube clamp 7,6-8,9mm / 5,6mm	S	

(from serial number 020002480553)

Frother update
change date 2024-04-8
See also SI-240408

